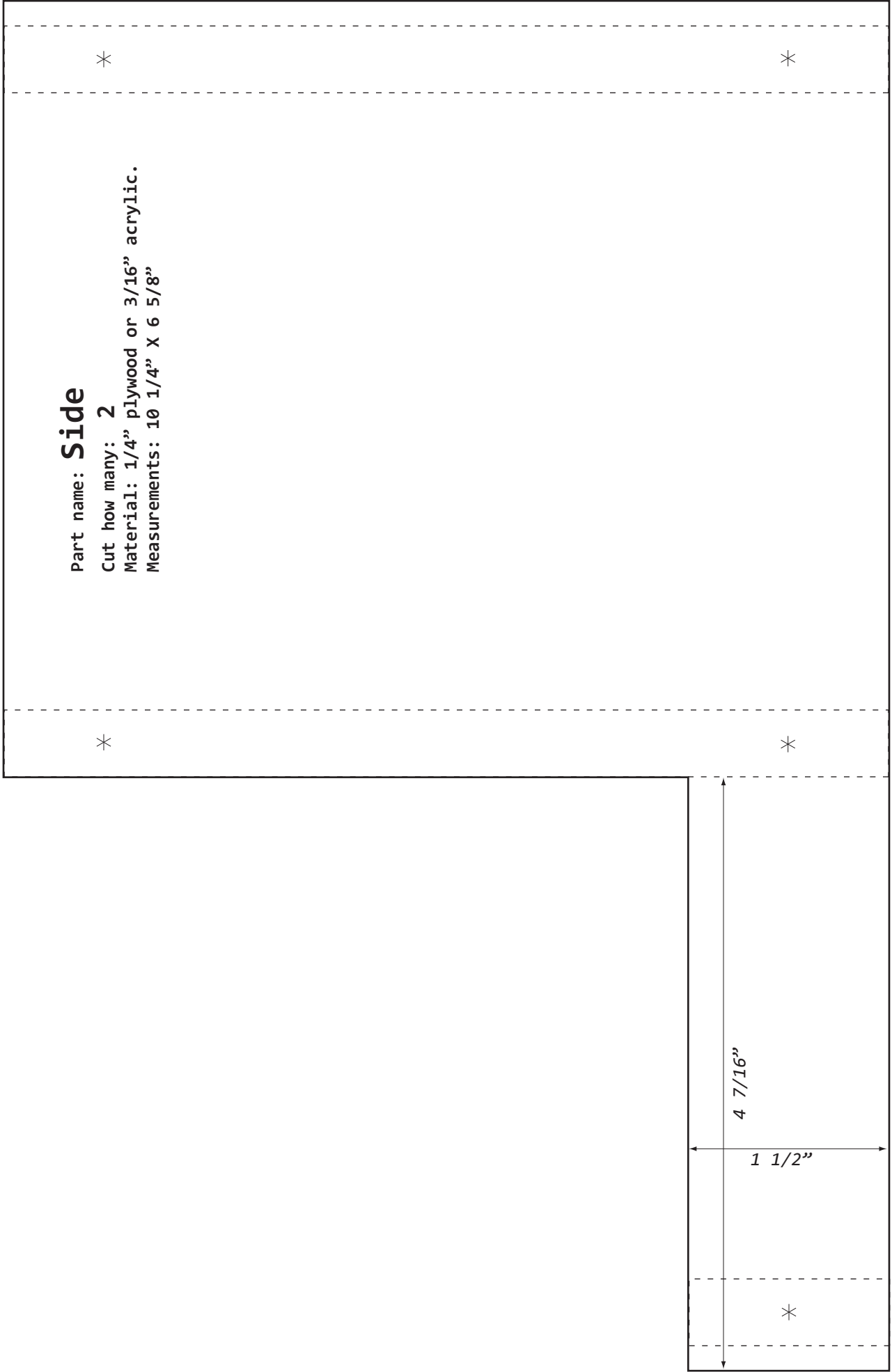


Part name: **Side**

Cut how many: **2**

Material: **1/4" plywood or 3/16" acrylic.**

Measurements: **10 1/4" X 6 5/8"**



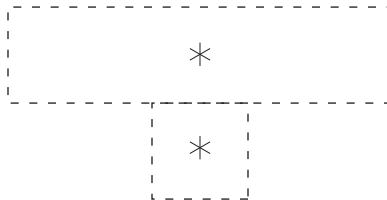
*

*



*

*



Part name: **Bottom**

Cut how many: **1**

Material: 1/4" plywood or 3/16" acrylic.

Measurements: 10 1/4" X 7 3/4"

Drill 1/8"

3"

3 1/16"

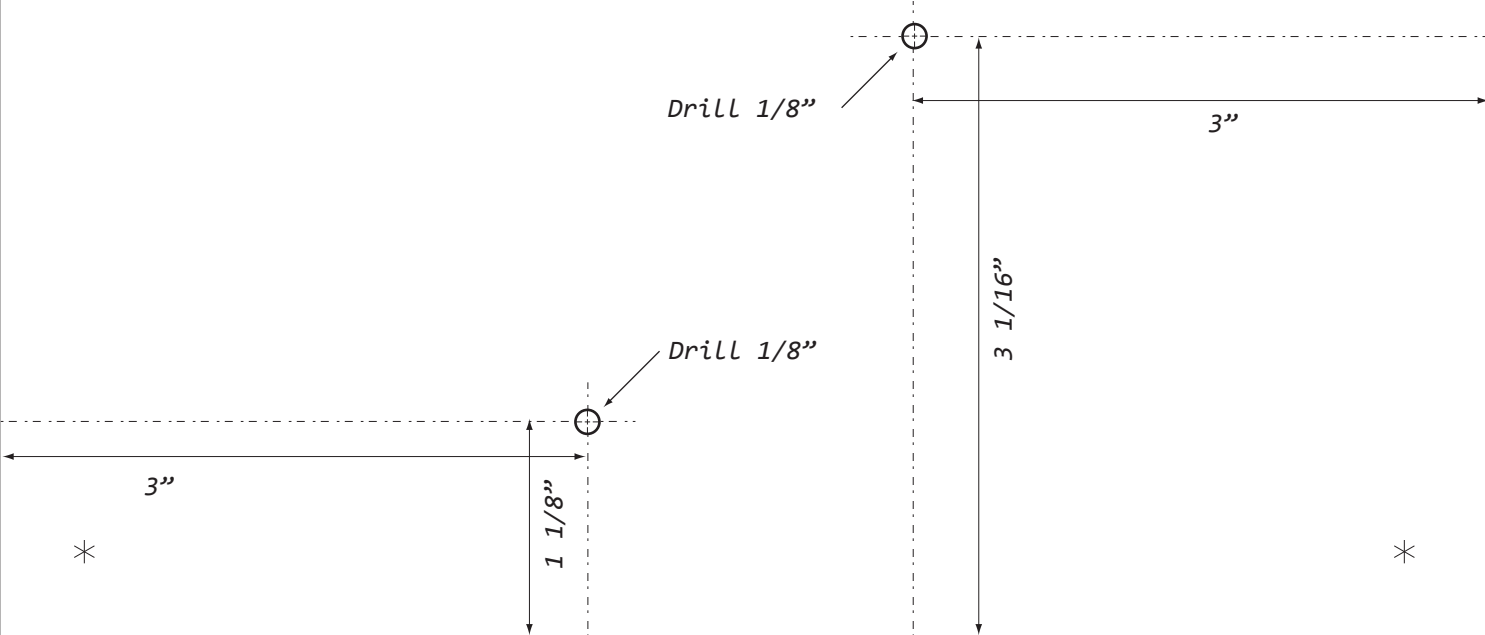
Drill 1/8"

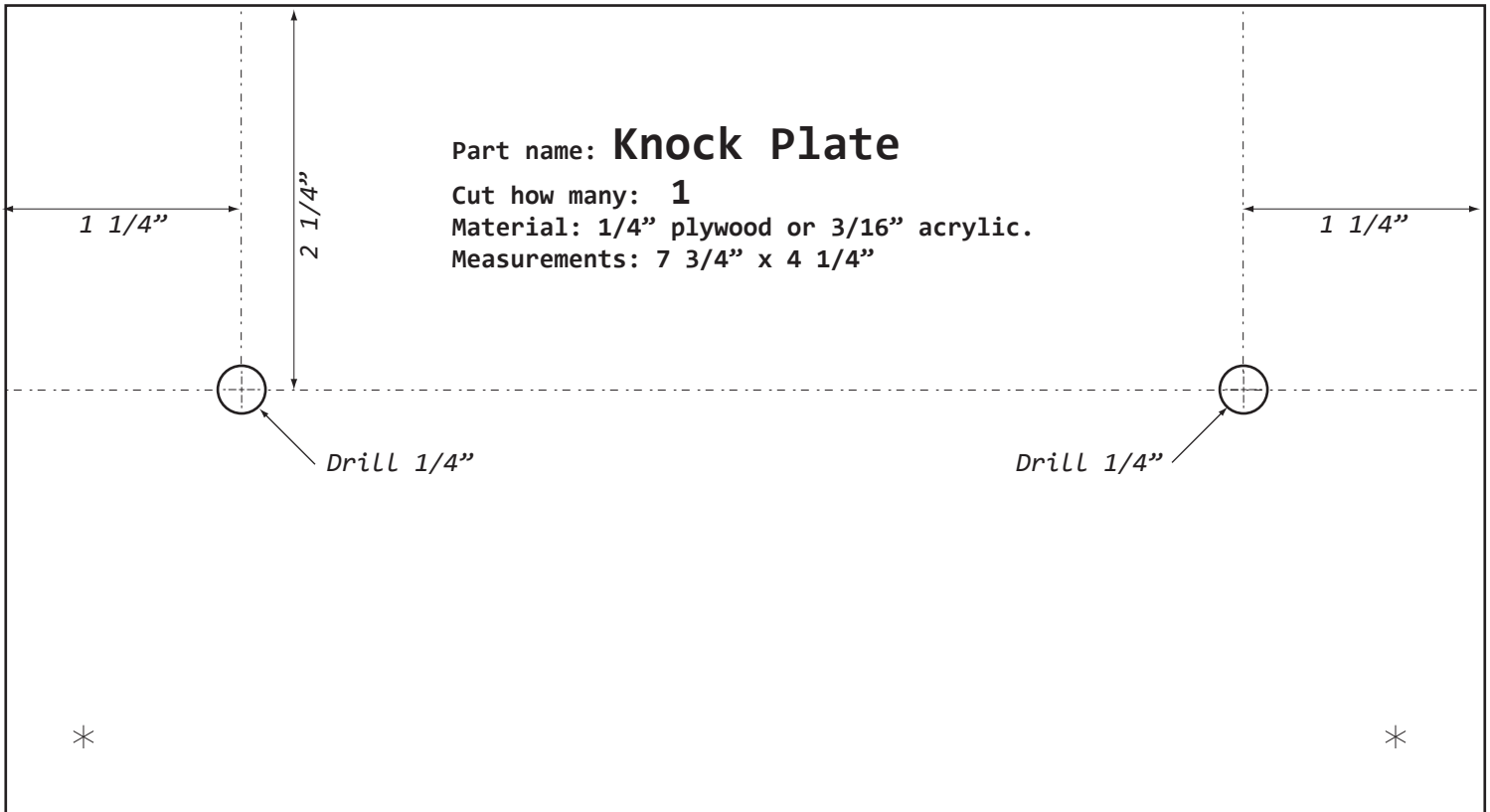
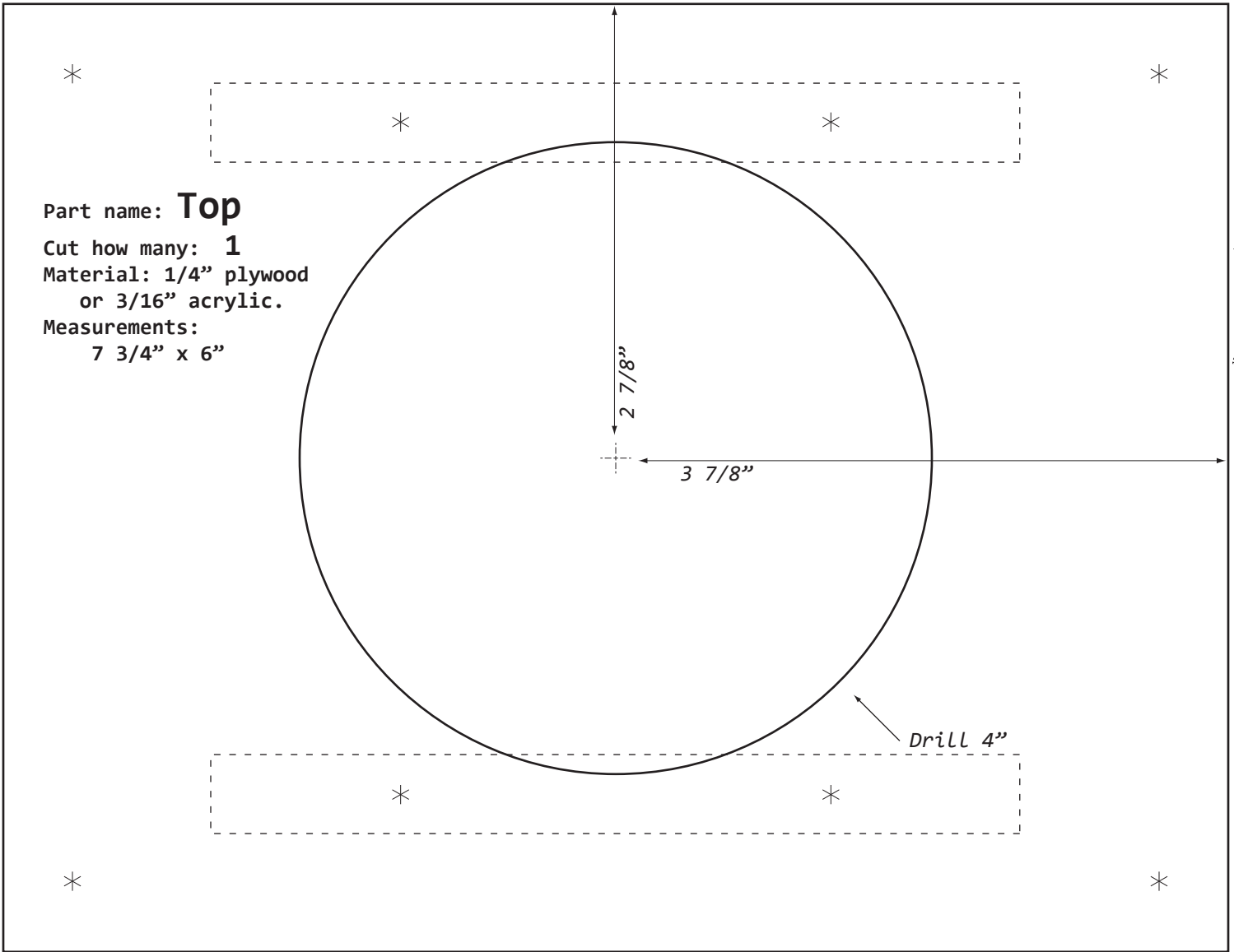
3"

1 1/8"

*

*





Part name: **Front Panel**

Cut how many: **1**

Material: 1/4" plywood or 3/16" acrylic.

Measurements: 7 3/8" X 1 1/2"

*

*

Part name: **Back Panel**

Cut how many: **1**

Material: 1/4" plywood or 3/16" acrylic.

Measurements: 7 3/8" X 6 5/8"

*

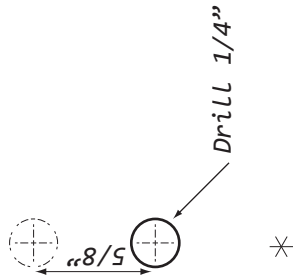
*



Stir Plates

Part name: **Stir Plates**
Cut how many: 2

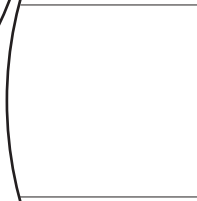
Material: 1/4" plywood or 3/16" acrylic.
Measurements: 4" Diameter



Dispensing Wheel Center

Part name: **Dispensing Wheel Center**
Cut how many: 5

Material: 1/4" plywood or 3/16" acrylic.
Measurements: 4" Diameter



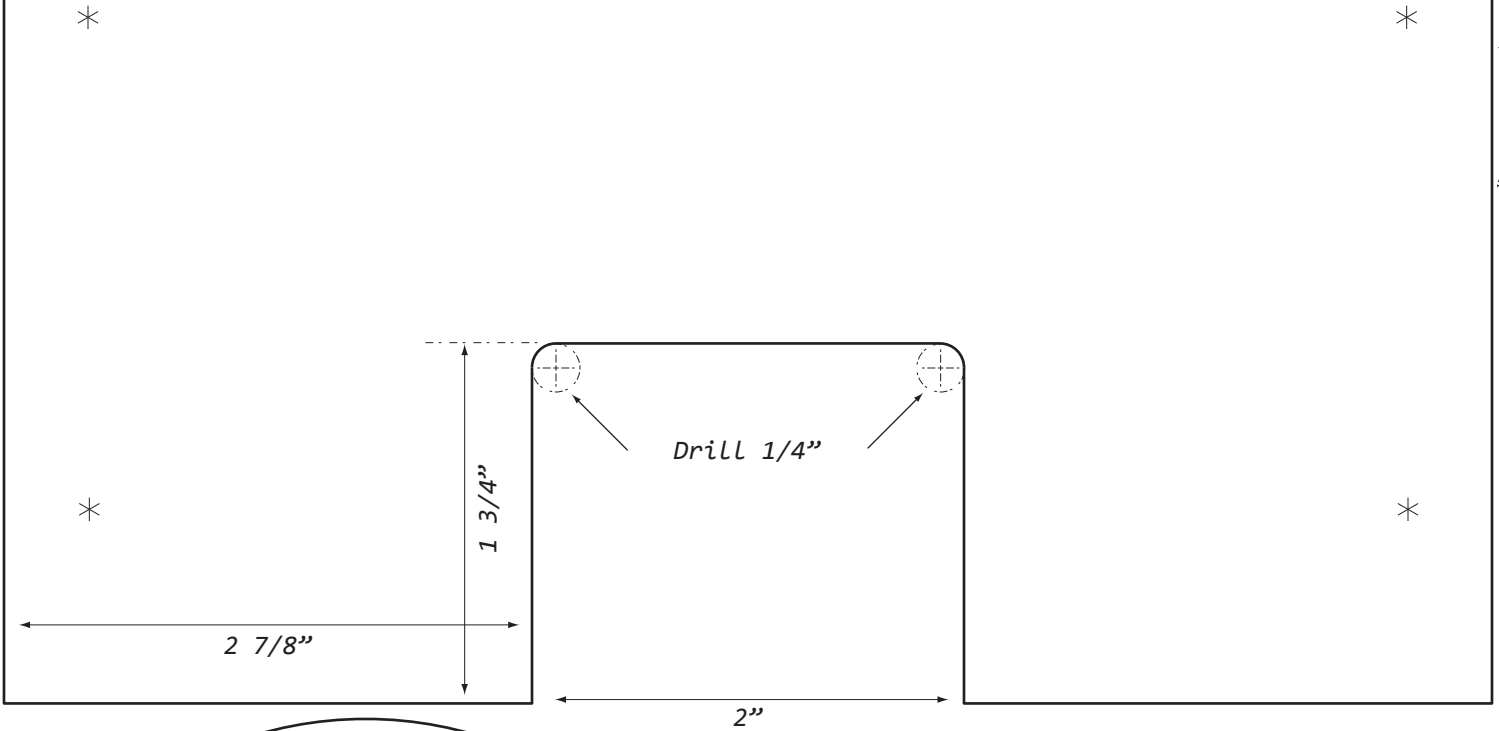
Stir plates offset by 5/8" on center and rotated 30° each way

Part name: Access Panel

Cut how many: 1

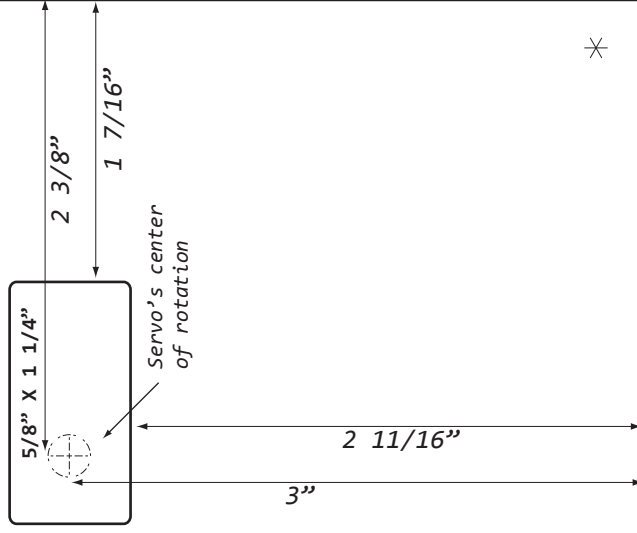
Material: 1/4" plywood or 3/16" acrylic.

Measurements: 7 3/4" x 5 1/16"



Part name: **Dispensing Wheel**
Right Side

Cut how many: 1
Material: 1/4" plywood or 3/16" acrylic.
Measurements: 4 3/4" x 4 7/8"



Part name: **Dispensing Wheel**
Left Side

Cut how many: 1
Material: 1/4" plywood or 3/16" acrylic.
Measurements: 4 3/4" x 4 7/8"



