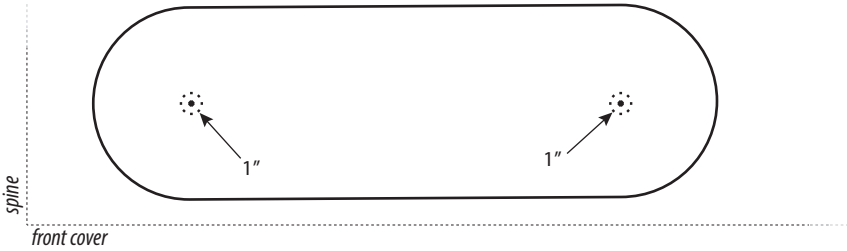


Audio Book Frame Cutout Templates

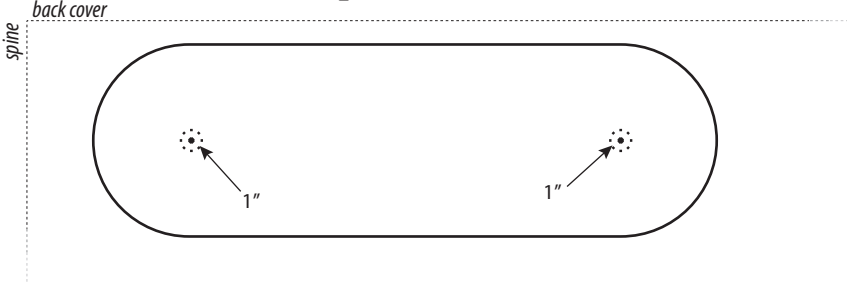
Every book is a little different, so measure your frame pieces first, then align these templates with your patterns.

These templates should be applied to the outside of the frame and aligned as specified.

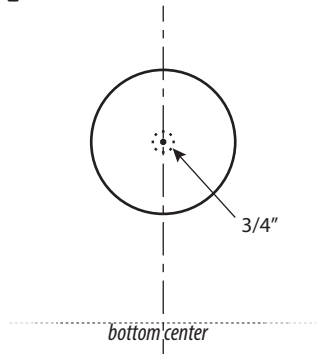
Left Book, Top Frame Piece



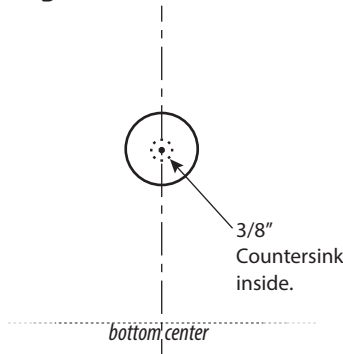
Center Book, Top Frame Piece



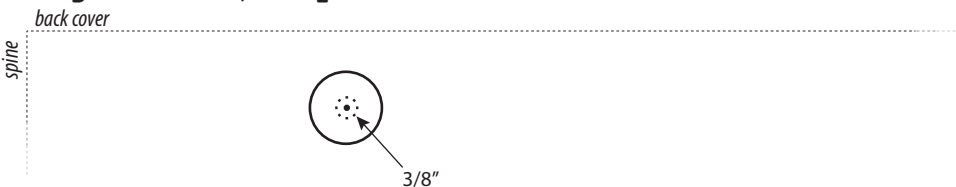
Center Book Spine Frame Piece



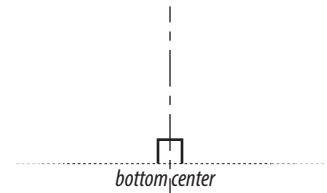
Center Book Edge Frame Piece



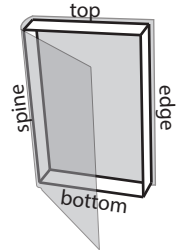
Right Book, Top Frame Piece



Right Book Divider Piece



Key:



Monospace
Font

Frame part name


Align edge of the frame on dotted lines

Align the center of the frame on dashed lines

Cut on the thick lines

Drill measurements in small text

Drill holes centered on stars

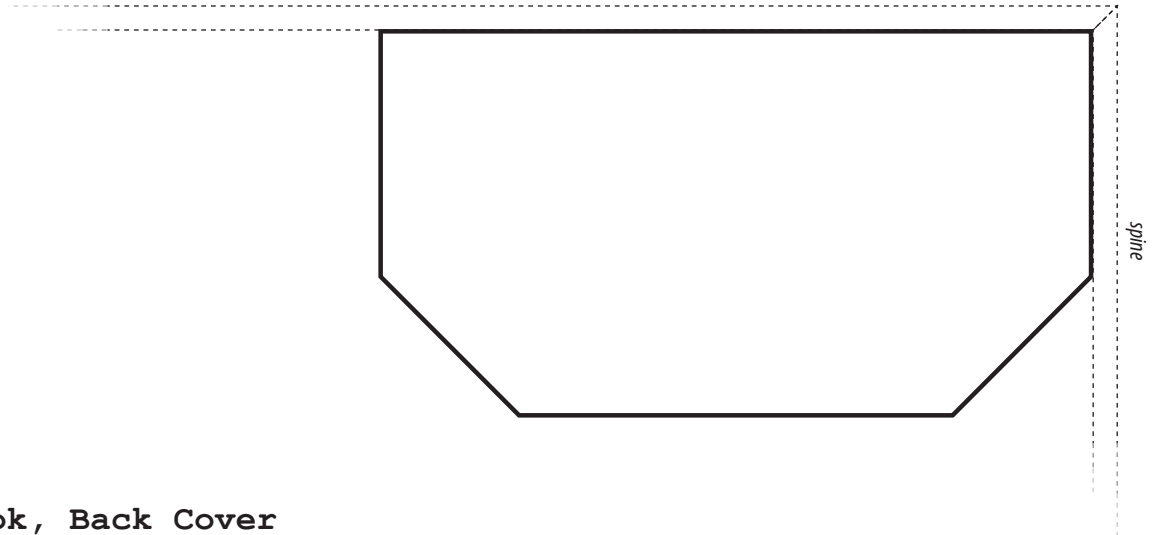
Print at 100% with no scaling. This line should be 1 inch: 

This work is licensed under a Creative Commons Attribution-ShareAlike 3.0 Unported License.

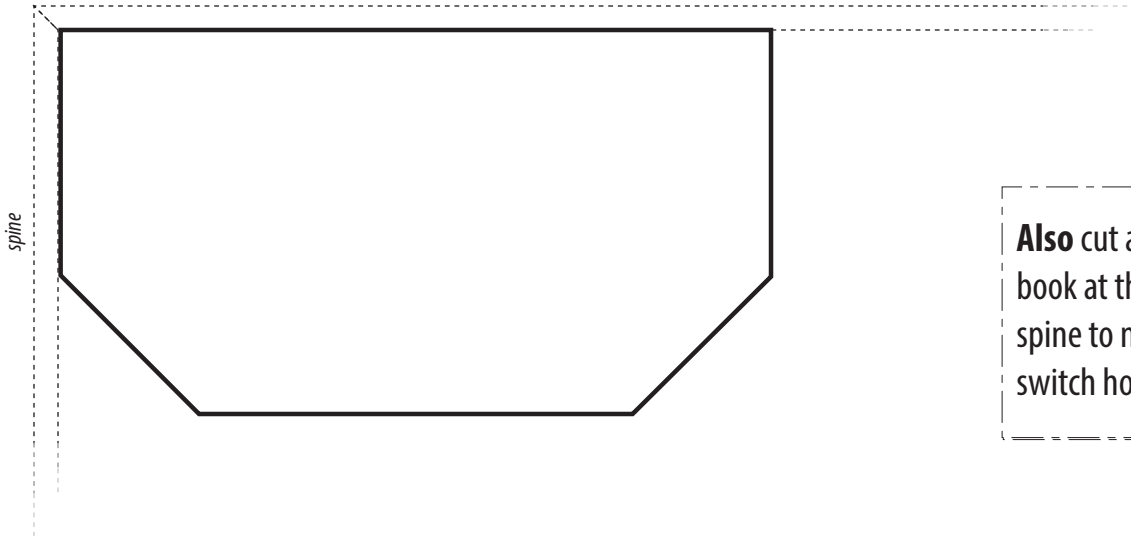
Audio Book Cover Cutout Templates

Every book is a little different, so these templates align on a specific place on your books so all the parts will match up. These templates should be applied to the *inside* of the covers and aligned to the *inside edge* of the frame. Cut on the bold lines.

Left Book, Front Cover



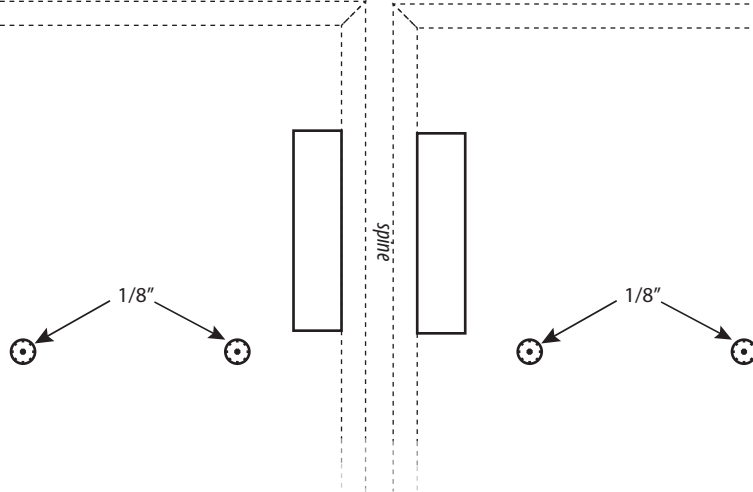
Center Book, Back Cover



Also cut a hole in the center book at the bottom of the spine to match the power switch hole in the frame.

Center Book, Front Cover

Right Book, Back Cover



Audio Book Liner Pattern

Customize this pattern using the measurements from your own book.

Cut on bold lines. Fold on dotted lines. All seams are 1/2"

